

For Analog I/O, Digital I/O, & Pulse/Frequency

[Overview ..... 1](#)

[Connections ..... 1](#)

[DBK201 Dimensional Drawing ..... 3](#)

**Note:** DBK201 provides P1, P2, and P3 connectors for a DaqBoard/2000 Series, or for a cPCI DaqBoard/2000c Series Board.

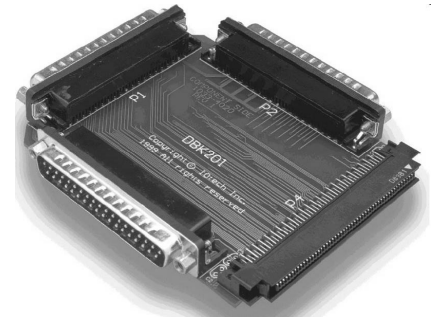


**This product is not used for LogBook applications.**



**Reference Notes:**

- Refer to [Chapter 2, Power Management](#), in regard to calculating system power requirements.
- [Chapter 3, System Connections and Pinouts](#), includes pinouts for P1, P2, P3, and P4. Refer to the pinouts that are applicable to your system, as needed.
- For a quick comparison of all DBK200 Series boards, refer to the [DBK200 Series Matrix](#). The matrix is located just before the DBK200 document module.
- Refer to the *DaqBoard/2000 Series and cPCI DaqBoard/2000c Series User's Manual* (p/n 1033-0901) for information pertaining to those products, as needed.



*DBK201, P4-to-P1/P2/P3 Adapter*

## Overview

DaqBoard/2000 Series and cPCI DaqBoard/2000c Series boards communicate [external from the host PC] through a 100-pin P4 connector. The DBK201 P4-to-P1/P2/P3 adapter provides DB37 P1, P2, and P3 connectors. P1 is used for ANALOG I/O, P2 is used for DIGITAL I/O, and P3 is used for Pulse/Frequency (Digital and Counter/Timer) I/O.

**Note:** The P1, P2, and P3 connectors discussed in association with DaqBoard/2000 Series and cPCI DaqBoard/2000c Series boards are subset connectors of the 100-pin P4 connector that is located on those boards. Chapter 3, *System Connections and Pinouts*, includes pinouts for P1, P2, P3, and P4.

## Connections

<b>CAUTION</b>	
	<p>Turn off power to the host PC and externally connected equipment prior to connecting cables or signal lines to the DBK. Electric shock or damage to equipment can result even under low-voltage conditions.</p> <p>Take ESD precautions (packaging, proper handling, grounded wrist strap, etc.)</p>
	<p>Use care to avoid touching board surfaces and onboard components. Only handle boards by their edges (or ORBs, if applicable). Ensure boards do not come into contact with foreign elements such as oils, water, and industrial particulate.</p>
	<p>Do not confuse connectors. Ensure that you only connect P1 I/Os to P1, P2 I/Os to P2, and P3 I/Os to P3. Improper connection may result in equipment damage.</p>



**Be sure to align the P4 orientation indicators (▲) prior to mating the P4 connectors.**

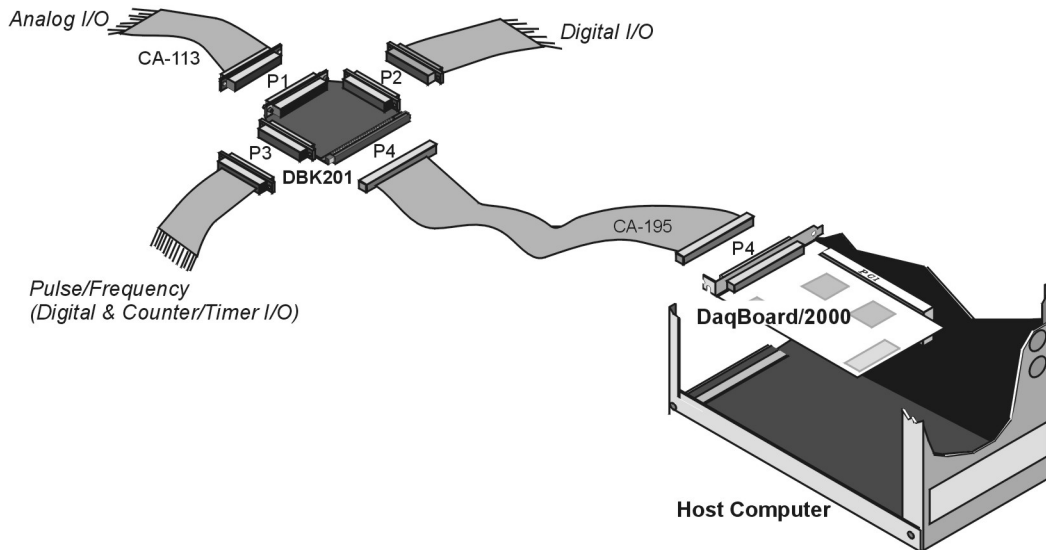
The following illustration and the actual board silkscreen are the only references you should need to make proper connections.

Connection tips:

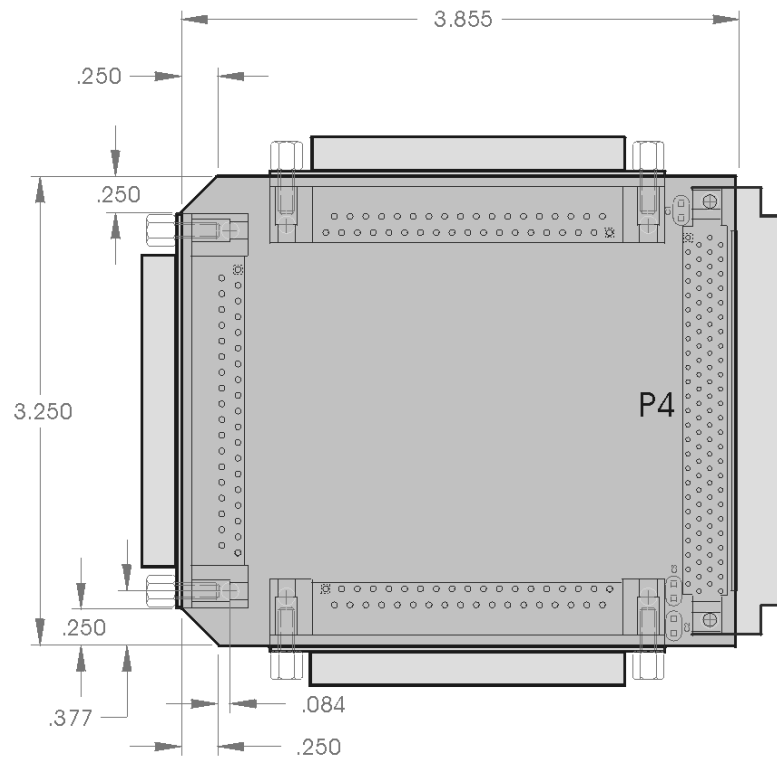
- Ensure power is removed from the device(s) to be connected.
- Observe ESD precautions when handling boards and making connections.
- P1 is used for ANALOG I/O.
- P2 is used for DIGITAL I/O.
- P3 is used for Pulse/Frequency (Digital and Counter/Timer) I/O.
- P4 (100-pin connector) connects to the DaqBoard/2000 Series or cPCI DaqBoard/2000c Series board's P4 connector via a CA-195 Cable.



**Be sure to align the P4 orientation indicators (▲) prior to mating the P4 connectors.**



***Making Connections via a DBK201***



***DBK201 Dimensional Drawing***

